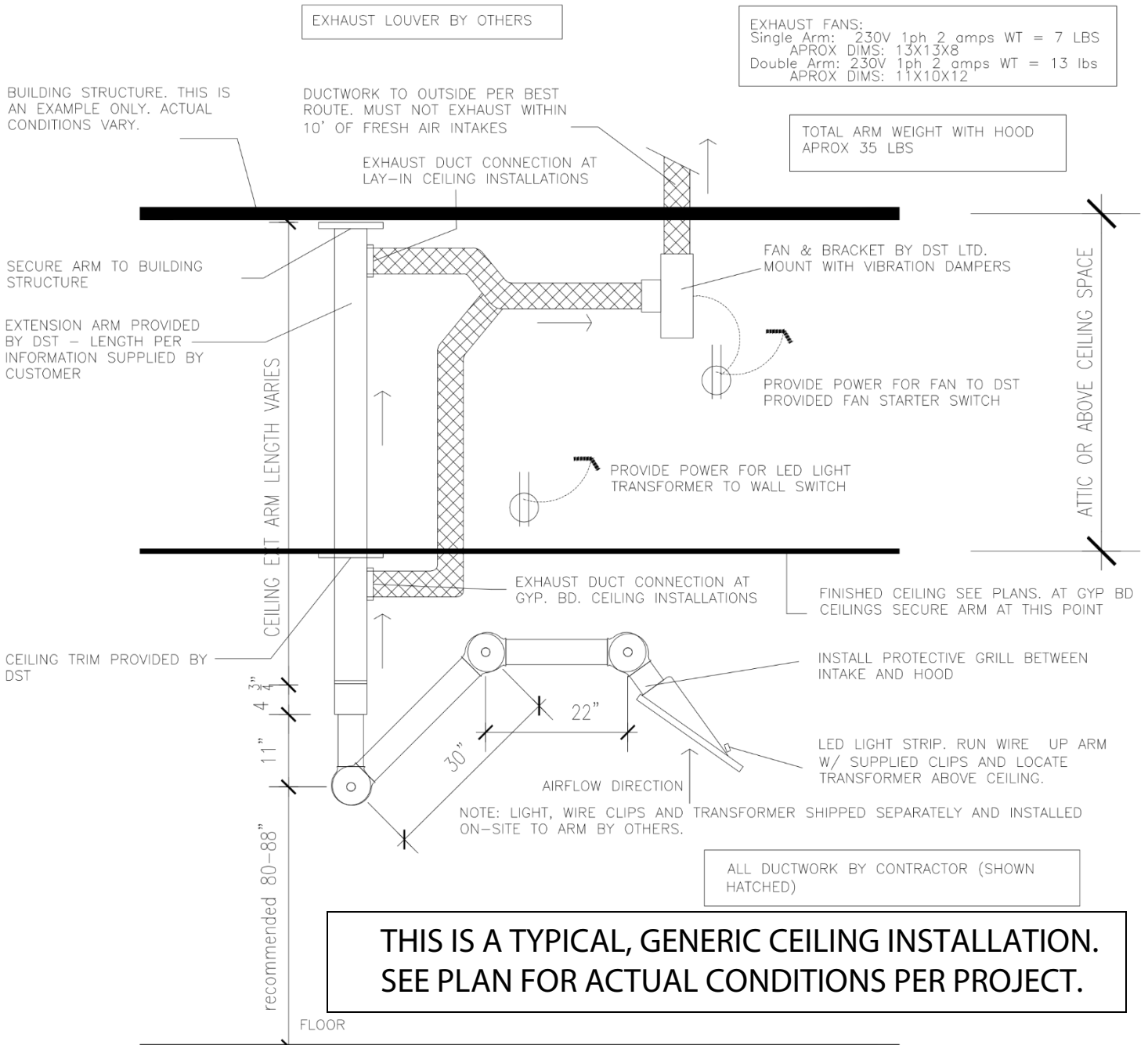


INSTALLATION INSTRUCTIONS

DST 111, 112



INSTALLATION INSTRUCTIONS

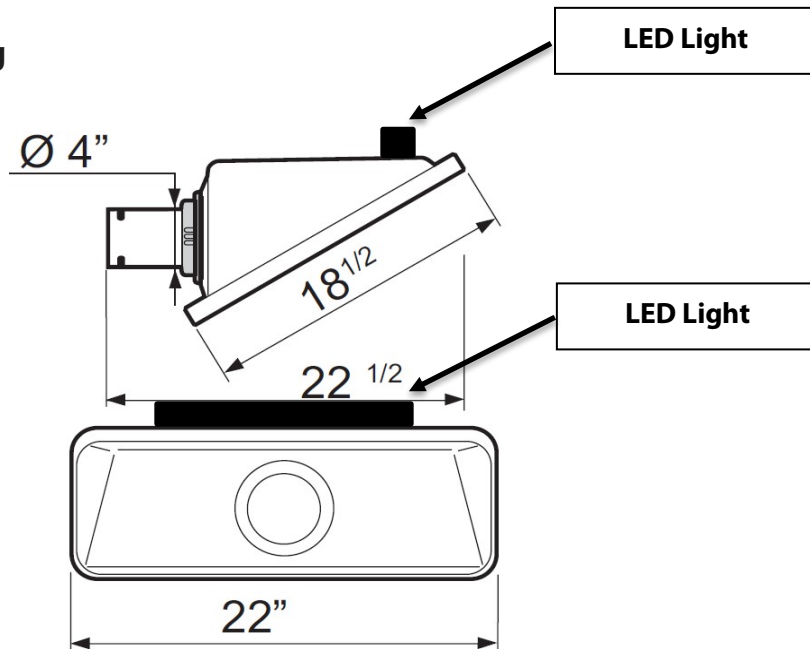
PrepArm

LED Light Strip Mounting

DST 111, 112

Parts Included:

- Transformer
- Power Cord
- LED Light Strip w/Velcro factory applied
- Package of stick-on wire clips



INSTALL 12" LED LIGHT BAR TO OUTSIDE OF CLEAR HOOD

1. Remove LED light bar from its shipping box.
2. The LED light bar will have both sides of three (3) Velcro strips pre-attached.
3. Remove the protective tape from the Velcro strips.
4. Locate LED light bar in desired position on the outside of the hood and press down against hood until Velcro sticky tabs adhere to hood.
5. You can now take the LED light bar on and off of hood using the Velcro attachments.

INSTALL LED LIGHT POWER CABLE, TRANSFORMER & CORD CLIPS

Your product comes with a transformer and a package of stick-on cord clips.

1. With the LED light strip attached to the hood, plug the power cable into the LED light strip.
2. Run the cord up the outside of the tube of the arm, placing a stick-on cord clip about every 12". Leave a little slack in the cord at the joints of the arm to allow for movement.
3. It is intended that the black box transformer itself is placed above the ceiling and plugged into an outlet above the ceiling. See page 1 of 4 for typical ceiling installation.

INSTALLATION INSTRUCTIONS

PrepArm Fan Manual Starter

DST 111.112

PrepArm LEV2 Exhaust Fan

115/208-230v 1 ph

2.1 amps full load (single arm fan) 4.2 amps full load (double arm fan)



Only a competent electrician should install the Fan Starter.

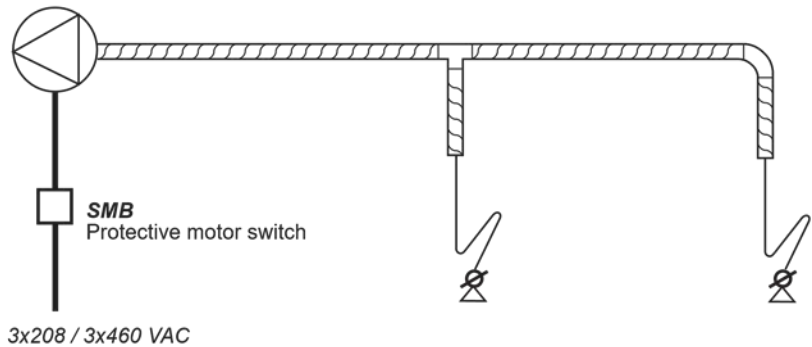
To prevent electrical shock, disconnect from power source before installing and servicing.

During any work on the installation, the main switch must be switched off and locked.

System 1:1 Manual start and stop of fan

The fan is manually started and stopped with a protective motor switch SMB.

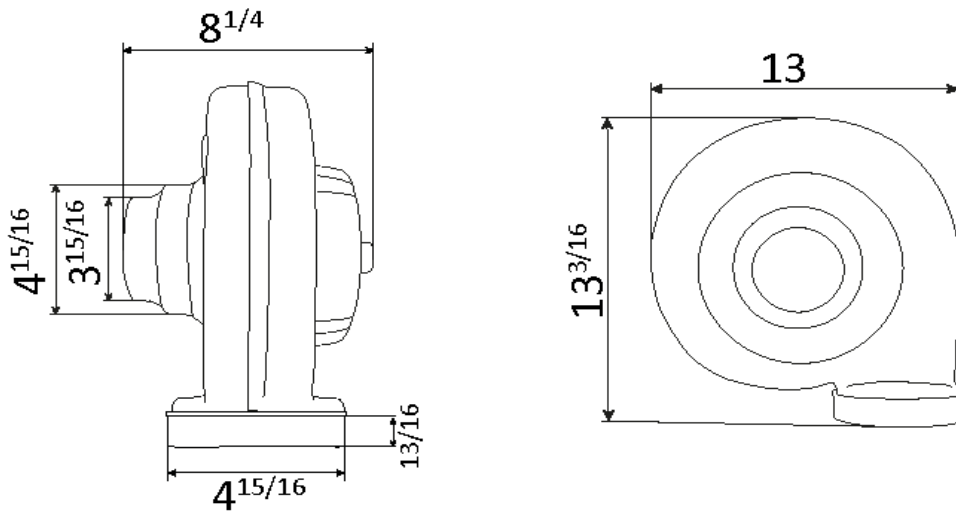
The protective motor switch has a thermal-magnetic release and phase failure protection.



INSTALLATION INSTRUCTIONS

Exhaust Fan for Single Arm System - DST 111

Fan Weight - 7 lbs



Exhaust Fan for Double Arm System - DST 112

Fan Weight - 13 lbs

